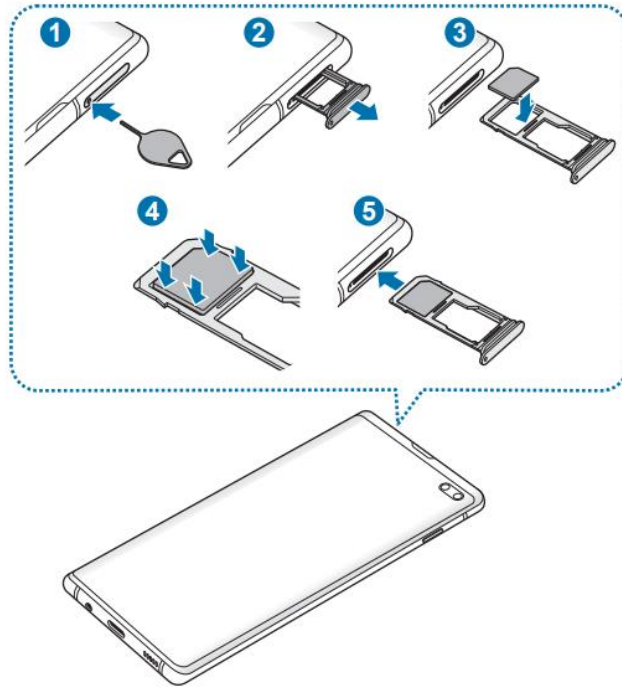




Samsung Galaxy S10e - How to insert your sim card

Use a paper clip or the sim eject tool which can be found inside the box.



If you needed a new sim card, you will have received a triple sim card pack. You'll need to pop out the appropriate sim card that is needed for your Samsung Galaxy S10e.



Mini-SIM



Micro SIM



Nano Sim

Samsung Galaxy S10e uses a Nano sim card.