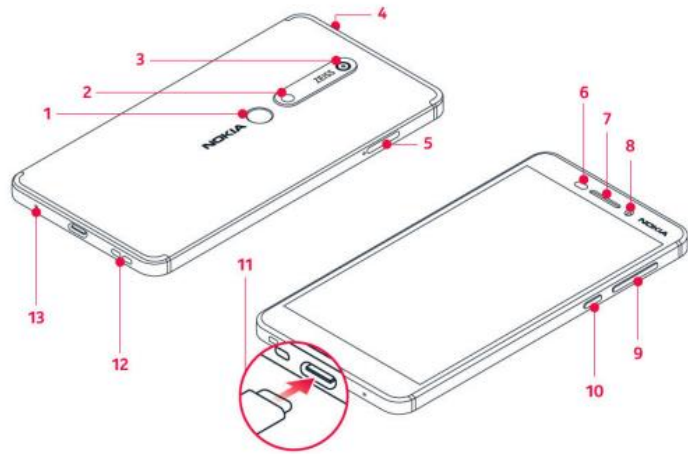


Nokia 6.1 - Getting Started

1. Fingerprint sensor
2. Flash
3. Main camera
4. Audio connector
5. SIM card/MicroSD card
6. Proximity sensor
7. Earpiece
8. Front camera
9. Volume keys
10. Power/Lock key
11. Charger connector
12. Loudspeaker
13. Microphone



Lock your phone

If you want to avoid accidentally making a call when your phone is in your pocket or bag, you can lock your keys and screen.

To lock your keys and screen, press the power key.

Unlock the keys and screen

Press the power key, and swipe up across the screen. If asked, provide additional credentials.