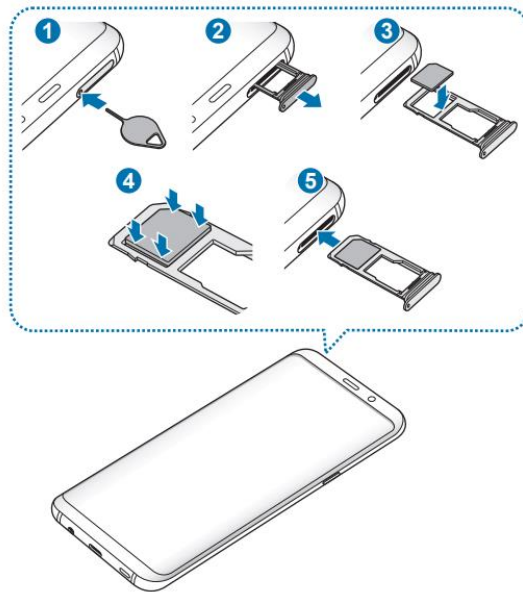




Samsung Galaxy S9 - How to insert your sim card

You will find the sim card tray on the top left of the handset. Use a paper clip or the sim eject tool which can be found inside the box.



If you needed a new sim card, you will have received a triple sim card pack. You'll need to pop out the appropriate sim card that is needed for your Samsung Galaxy S9.



Mini-SIM



Micro SIM



Nano Sim

Samsung Galaxy S9 uses a Nano sim card.