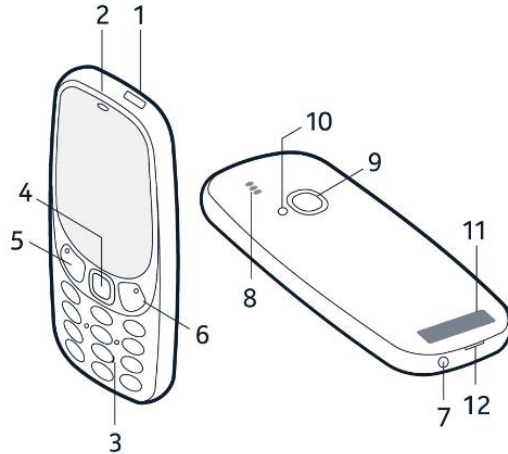



## Nokia 3310 - Getting Started

The keys and parts of your phone are:

- 1.Charger connector
- 2.Earpiece
- 3.Number keys
- 4.Selection key
- 5.Function key, call key
- 6.Function key, end call/power key
- 7.Headphone connector
- 8.Loudspeaker
- 9.Camera
- 10.Flashlight
- 11.Antenna area
- 12.Back cover opening slot



To lock the keys, select Go to > Lock keypad.

To unlock the keys, quickly press  and select Unlock.

Avoid touching the antenna area while the antenna is in use. Contact with antennas affects the communication quality and may reduce battery life due to higher power level during operation.